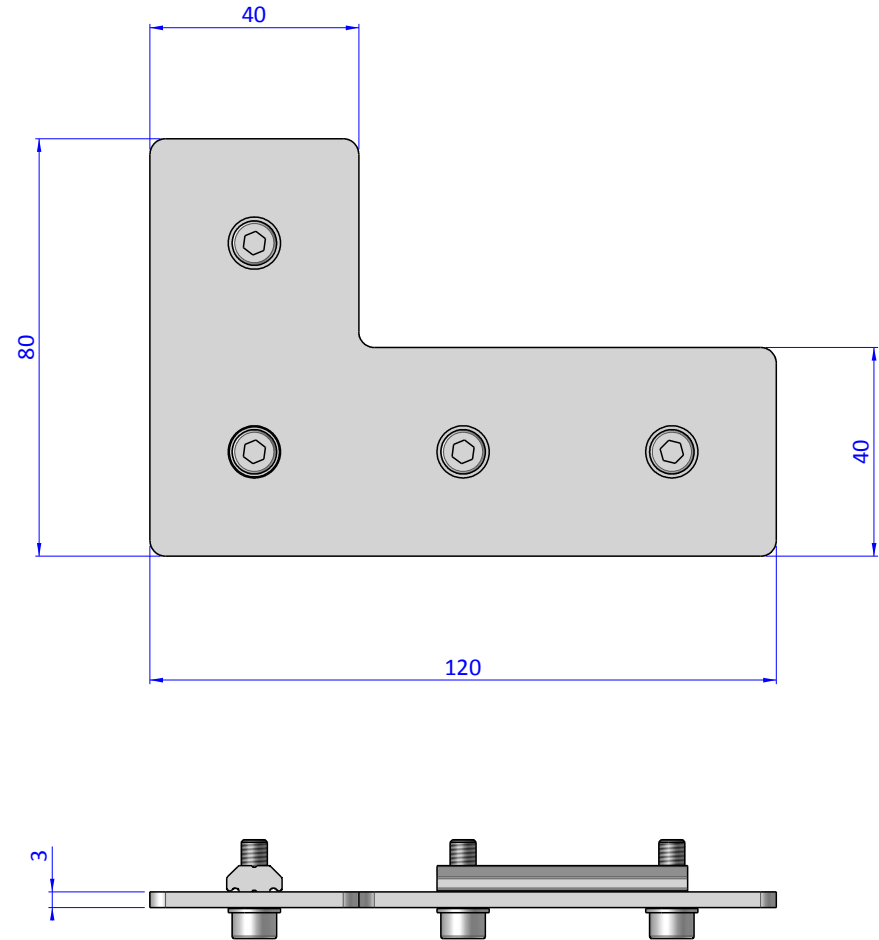
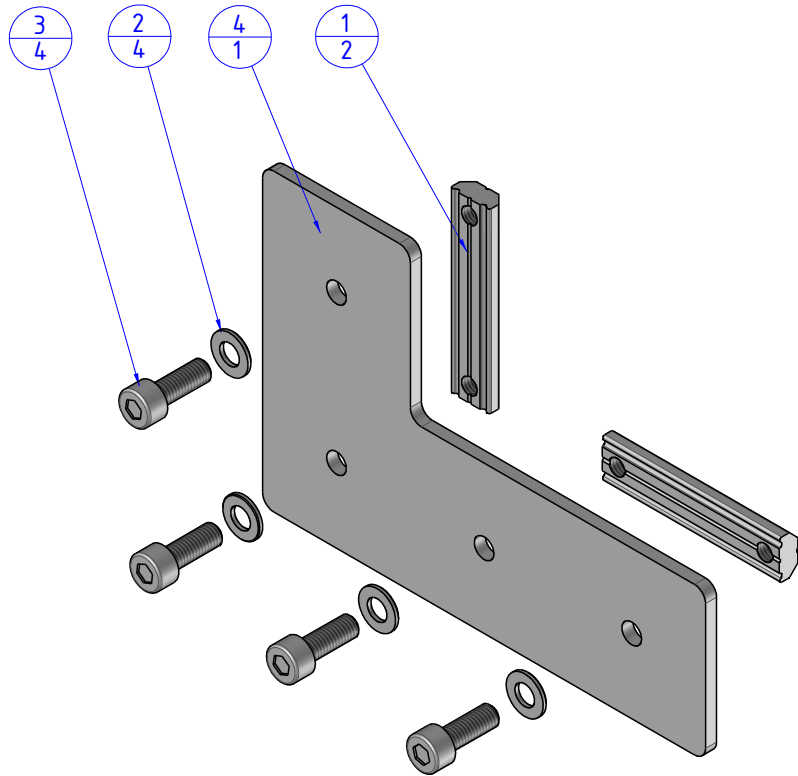


THE PROPERTY OF THE DRAWING IS ESTABLISHED BY LAW. IT IS FORBIDDEN TO PRODUCE OR SHOW IT TO THIRD PARTY, WITHOUT A WRITTEN AGREEMENT.

Item	Name	Q. ty
1	CA.GWP.5.40	2
2	R.5	4
3	V.TCE5x14	4
4	VBL.80.120.JU	1



Format A3

UNI 936-76

FP SERVICES AUTOMATION		DESIGNED FROM FPSERVICES	REVIEW A
GENERAL TOLERANCE UNI - ISO 2768 CLASSE F	DESCRIPTION CA.VBL.80.120.JU	DATE 30/04/2016	WEIGHT 0.200kg
		CODE CA.VBL.80.120.JU	